



CONTENTS

1. SAFETY INFORMATION.....	3
2. SAFETY INSTRUCTIONS.....	4
3. PRODUCT DESCRIPTION.....	6
4. CONTROL PANEL.....	7
5. PROGRAMMES	10
6. CONSUMPTION VALUES.....	14
7. OPTIONS.....	15
8. SETTINGS.....	17
9. BEFORE FIRST USE.....	17
10. DAILY USE.....	18
11. HINTS AND TIPS.....	21
12. CARE AND CLEANING.....	23
13. TROUBLESHOOTING.....	27
14. EMERGENCY DOOR OPENING.....	30
15. TECHNICAL DATA.....	30

FOR PERFECT RESULTS

Thank you for choosing this AEG product. We have created it to give you impeccable performance for many years, with innovative technologies that help make life simpler features you might not find on ordinary appliances. Please spend a few minutes reading to get the very best from it.

Visit our website for:



Get usage advice, brochures, trouble shooter, service information:
www.aeg.com



Register your product for better service:
www.registeraeg.com




Buy Accessories, Consumables and Original spare parts for your appliance:
www.aeg.com/shop

CUSTOMER CARE AND SERVICE

Always use original spare parts.

When contacting our Authorised Service Centre, ensure that you have the following data available: Model, PNC, Serial Number.

The information can be found on the rating plate.

 Warning / Caution-Safety information

 General information and tips

 Environmental information

Subject to change without notice.

1. SAFETY INFORMATION

Before the installation and use of the appliance, carefully read the supplied instructions. The manufacturer is not responsible if an incorrect installation and use causes injuries and damages. Always keep the instructions with the appliance for future reference.

1.1 Children and vulnerable people safety

- This appliance can be used by children aged from 8 years and above and persons with reduced physical, sensory or mental capabilities or lack of experience and knowledge if they have been given supervision or instruction concerning use of the appliance in a safe way and understand the hazards involved.
- Do not let children play with the appliance.
- Children of less than 3 years should be kept away unless continuously supervised.
- Keep all packaging away from children.
- Keep all detergents away from children.
- Keep children and pets away from the appliance door when it is open.
- If the appliance has a child safety device, we recommend you activate it.
- Cleaning and user maintenance shall not be made by children without supervision.

1.2 General Safety

- Do not change the specification of this appliance.
- Obey the maximum load volume of 9 kg (refer to the "Programme chart" chapter).
- The operating water pressure (minimum and maximum) must be between 0,5 bar (0,05 MPa) and 8 bar (0,8 MPa).
- The ventilation openings in the base (if applicable) must not be obstructed by a carpet.

- The appliance is to be connected to the water mains using the new supplied hose-sets. Old hose sets must not be reused.
- If the supply cord is damaged, it must be replaced by the manufacturer, its Authorised Service Centre or similarly qualified persons in order to avoid a hazard.
- Before maintenance, deactivate the appliance and disconnect the mains plug from the mains socket.
- Do not use water spray and steam to clean the appliance.
- Clean the appliance with a moist soft cloth. Only use neutral detergents. Do not use abrasive products, abrasive cleaning pads, solvents or metal objects.

2. SAFETY INSTRUCTIONS

2.1 Installation

- Remove all the packaging and the transit bolts.
- Keep the transit bolts. When you move the appliance again you must block the drum.
- Always be careful when you move the appliance because it is heavy. Always wear safety gloves.
- Do not install or use a damaged appliance.
- Obey the installation instruction supplied with the appliance.
- Do not install or use the appliance where the temperature is less than 0 °C or where it is exposed to the weather.
- Make sure that the floor where you install the appliance is flat, stable, heat resistant and clean.
- Make sure that there is air circulation between the appliance and the floor.
- Adjust the feet to have the necessary space between the appliance and the carpet.
- Do not install the appliance where the appliance door can not be fully opened.
- Always use a correctly installed shockproof socket.
- Make sure that the electrical information on the rating plate agrees with the power supply. If not, contact an electrician.
- Do not use multi-plug adapters and extension cables.
- Make sure not to cause damage to the mains plug and to the mains cable. Should the mains cable need to be replaced, this must be carried out by our Authorised Service Centre.
- Connect the mains plug to the mains socket only at the end of the installation. Make sure that there is access to the mains plug after the installation.
- Do not touch the mains cable or the mains plug with wet hands.
- Do not pull the mains cable to disconnect the appliance. Always pull the mains plug.
- Only for UK and Ireland: The appliance has a 13 amp mains plug. If it is necessary to change the fuse in the mains plug, use a 13 amp ASTA (BS 1362) fuse.
- This appliance complies with the E.E.C. Directives.

2.2 Electrical connection

- The appliance must be earthed.

2.3 Water connection

- Make sure not to cause damage to the water hoses.
- Before you connect the appliance to new pipes or pipes not used for a long time, let the water flow until it is clean.
- The first time you use the appliance, make sure that there is no leakage.

2.4 Use



WARNING!

Risk of injury, electrical shock, fire, burns or damage to the appliance.

- Use this appliance in a household only.
- Obey the safety instructions on the detergent packaging.
- Do not put flammable products or items that are wet with flammable products in, near or on the appliance.
- Make sure that you remove all metal objects from the laundry.
- Do not put a container to collect possible water leakage under the appliance. Contact the Authorised Service Centre to ensure which accessories can be used.
- Do not touch the glass of the door while a programme operates. The glass can be hot.

2.5 Internal light



WARNING!

Risk of injury.

- Visible LED radiation, do not look directly into the beam.
- The type of light bulb or halogen lamp used for this appliance is only for household appliances. Do not use it for house lighting.
- To replace the internal light, contact the Authorised Service Centre.

2.6 Service

- To repair the appliance contact an Authorised Service Centre.
- Use original spare parts only.

2.7 Disposal



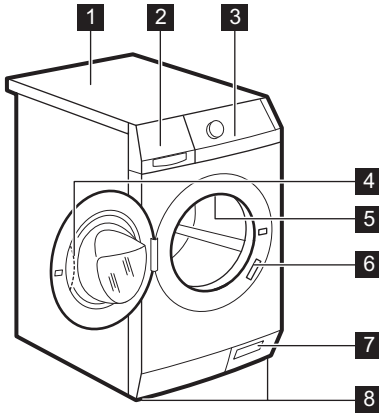
WARNING!

Risk of injury or suffocation.

- Disconnect the appliance from the mains supply.
- Cut off the mains cable and discard it.
- Remove the door catch to prevent children and pets to get closed in the appliance.

3. PRODUCT DESCRIPTION

3.1 Appliance overview

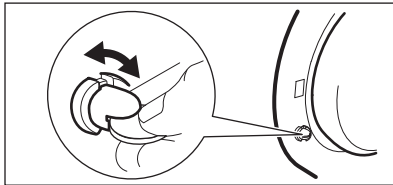


- 1 Worktop
- 2 Detergent dispenser
- 3 Control panel
- 4 Door handle
- 5 Internal light
- 6 Rating plate
- 7 Drain pump filter
- 8 Feet for the appliance level

3.2 How to activate the child safety device

This device prevents children or pets to be closed in the drum.

Turn the device clockwise, until the groove is horizontal.
You cannot close the door.



To close the door, turn the device anticlockwise until the groove is vertical.

3.3 Installation on suspended flooring

Suspended wooden floors are particularly susceptible to vibration.

To help prevent vibration we recommend you place a waterproof wood panel, at least 15 mm thick under the appliance, secured to at least 2 floor beams with screws, the wood panel must extend beyond the front feet.

If possible install the appliance in one of the corners of the room, where the floor is more stable.

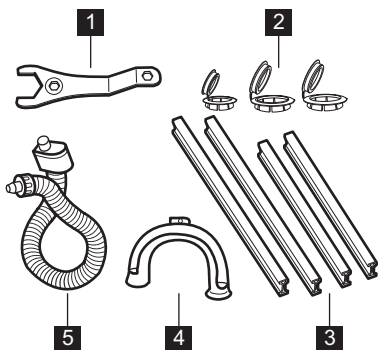
3.4 Fixing plate kit (4055171146)

Available from your authorized dealer.

If you install the appliance on a plinth, secure the appliance in the fixing plates.

Read carefully the instructions supplied with the accessory.

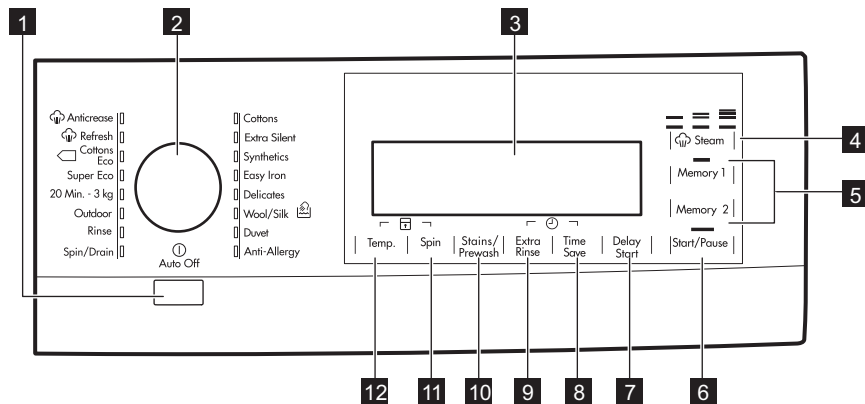
3.5 Accessories



- **Spanner:** to remove the transit bolts.
- **Plastic caps:** to close the holes on the rear side of the cabinet after the removal of the transit bolts.
- **Sound barriers:** to decrease the noise while the appliance operates.
- **Plastic hose guide:** to connect the drain hose on the edge of a sink.
- **Anti-flood inlet hose:** to prevent possible leakage.

4. CONTROL PANEL

4.1



1 Auto Off button (Auto Off)

2 Programme knob

3 Display

4 Steam touch button (Steam)

5 Memory touch buttons (Memory)

6 Start/Pause touch button (Start/Pause)

7 Delay Start touch button (Delay Start)

8 Time Save touch button (Time Save)

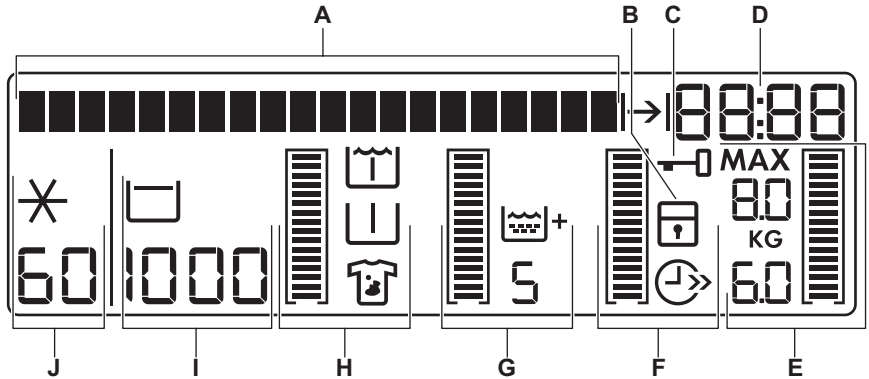
9 Extra Rinse touch button (Extra Rinse)

10 Option touch button (Stains/Prewash)



11 Spin reduction touch button (Spin)

12 Temperature touch button (Temp.)

4.2 Display



The display shows:

<p>The text bar:</p> <ul style="list-style-type: none"> • Guides you in the use of the appliance. • Shows the programme status and phase. • Shows alarm messages. Refer to 'Troubleshooting'. 	
<p>The symbols appear on the display when the related phase or function is set.</p>	
<p>B </p>	<p>Child safety lock</p>
<p>C </p>	<p>Door locked</p> <p>You cannot open the appliance door when the symbol is on. You can open the door only when the symbol goes off.</p> <p>If the programme is completed but the symbol stays on:</p> <ul style="list-style-type: none"> • The «Rinse hold» function is on. • There is water in the drum.

Digit area

Time of the day

When you activate the appliance the display shows the time of the day for some seconds. To adjust the clock, refer to "Clock setting".

Programme duration

When you touch the related button, the programme cycle duration is displayed for few seconds then, the time of the programme end appears again.

D



Programme duration indicator

The indicator comes on when the digits shows the programme duration.

End time of the programme



Programme end indicator

The indicator comes on when the digits shows the programme end time.

Time of delay

When you set the delayed start the time of the programme end increases by steps of 30 minutes till 10 hours and by steps of one hour till 20 hours.

End of the programme

The display shows a zero.

This part comes on only if the door is open - Refer to 'Activating the appliance and setting a programme'.

MAX



Maximum allowed load of laundry for the set programme (in kg).

E

KG



The indicator bar fills accordingly to the laundry set.



The indicator bar fully fills when you put the maximum load.

Graphic bars

To set a function:


















The empty indicator bar appears only if the related function is available for the set programme.
If an indicator bar does not come on, it means that it is not available.



The indicator bar fills accordingly to the set functions.




If you make a wrong selection the message **Err** indicates that the selection is not possible.



		Time save The indicator comes on when you set one of the programme duration.
F		Shortened time
		Extra Quick
		Extra rinsing
H		The value shows the total number of the rinses.
		The indicator bar fills accordingly the numbers of rinses.
		Stain indicator
I		Prewash indicator
		Soak indicator
		The indicator bar fills accordingly to the set functions.
		Spin speed of the set programme
J		No Spin indicator ¹⁾
		Rinse Hold indicator
	¹⁾ Only available for SPIN/DRAIN programme.	
K		Default temperature of the set programme
		Cold water


5. PROGRAMMES

5.1 Programme Chart

Programme Temperature range	Maximum load Maximum spin speed	Programme description (Type of load and soil level)
Washing programmes		

Programme Temperature range	Maximum load Maximum spin speed	Programme description (Type of load and soil level)
Cottons 95°C - Cold	9 kg 1600 rpm	White cotton and coloured cotton. Normal soil and light soil.
Extra Silent 95°C - Cold	9 kg	White and coloured cotton. Normal soil and light soil. The programme eliminates all spinning phase to perform a silent cycle. The cycle stops with water in the tub.
Synthetics 60° C - Cold	4 kg 1200 rpm	Synthetic items or mixed fabric items. Normal soil.
Easy Iron 60° C - Cold	4 kg 800 rpm	Synthetic items to be gentle washed. Normal and light soil. ¹⁾
Delicates 40° C - Cold	4 kg 1200 rpm	Delicate fabrics as acrylics, viscose, polyester items. Normal soil.
 Wool/Silk 40° C - Cold	2 kg 1200 rpm	Machine washable wool, hand washable wool and delicate fabrics with «hand washing» care symbol. ²⁾
Duvet 60°C - 30° C	3 kg 800 rpm	Special programme for one synthetic blanket, duvet, bedspread and so on.
Anti-Allergy 60° C	9 kg 1600	White cotton items. This programme removes micro-organisms thanks to the washing by 60°C and adds one rinse. In this way the wash is more effective.
Spin/Drain	9 kg 1600 rpm	To spin the laundry and to drain the water in the drum. All fabrics.
Rinse Cold	9 kg 1600 rpm	To rinse and spin the laundry. All fabrics.
Outdoor 40° - Cold	2.5 kg 800 rpm	Waterproof, sports and outdoor items.. Do not use any fabric softener!

Programme Temperature range	Maximum load Maximum spin speed	Programme description (Type of load and soil level)
20 Min. - 3 Kg 40°C - 30°C	3 kg 1200 rpm	Cottons and synthetics items with light soil level or worn only once.
Super Eco Cold	3 kg 1200 rpm	Mixed fabric (cotton and synthetic items). ³⁾
 Cottons Eco ⁴⁾ 60°C - 40° C	9 kg 1600 rpm	White cotton and colour-fast cotton. Normal soil. The energy consumption decreases and the time of the washing programme is extended.
Steam programmes⁵⁾		
<p>Steam can be used for dried, washed or worn once laundry. These programmes can reduce creases and odours and make your laundry more soft.</p> <p>Do not use any detergent. If necessary, remove stains by washing or using localized stain removal.</p> <p>Steam programmes do not perform any hygienic cycle.</p> <p>Do not set a Steam programme with these types of items:</p> <ul style="list-style-type: none"> • items where it is not specified on the care label as being suitable for tumble drying. • all items with plastic, metal, wooden parts or alike. 		
 Refresh 40° C	1.5 kg	Steam programme for cotton and synthetic items . This cycle removes odours from the laundry. ⁶⁾

Programme Temperature range	Maximum load Maximum spin speed	Programme description (Type of load and soil level)
 Anticrease 40° C	1.5 kg	Steam programme for synthetic items . This cycle helps to dewrinkle the laundry.



- 1) To reduce the creases of the laundry, this cycle regulates the water temperature and performs a soft wash and spin phase. The appliance adds some rinses.
- 2) During this cycle the drum rotates slowly to ensure a gentle washing. It can seem that the drum doesn't rotate or doesn't rotate properly. Consider this as a normal functioning of the appliance.
- 3) This programme is for daily use and has lowest energy and water consumption maintaining a good washing performance.
- 4) **Standard programmes for the Energy Label consumption values.** According to regulation 1061/2010, these programmes are respectively the «Standard 60°C cotton programme» and the «Standard 40°C cotton programme». They are the most efficient programmes in terms of combined energy and water consumption for washing normally soiled cotton laundry.




The water temperature of the washing phase may differ from the temperature declared for the selected programme.

- 5) If you set a Steam programme with dried laundry, at the end of the cycle the laundry could be humid. It is better to expose the items to the fresh air for about 10 minutes to let the humidity dry. When the programme is completed, quickly remove the laundry from the drum. After a steam cycle, items may be ironed anyway, but with less effort!
- 6) Steam does not remove animal odours.

Programme options compatibility

Programme	Spin	---		Stains/ Pre- wash ¹⁾	Soak	Extra Rinse ²⁾	Time Save ³⁾	Delay Start
Cottons	■		■	■	■	■	■	■
Extra Silent			■	■	■	■	■	■
Synthetics	■		■	■	■	■	■	■
Easy Iron	■		■	■ ⁴⁾	■	■	■	■
Delicates	■		■	■	■	■	■	■
Wool/Silk 	■		■					■
Duvet	■							■
Anti-Allergy	■		■	■	■	■		■
Spin/Drain ⁵⁾	■	■						■

Programme	Spin	---		Stains/ Pre- wash 1)	Soak	Extra Rinse 2)	Time Save 3)	Delay Start
Rinse	■		■			■		■
Outdoor	■		■			■		■
20 Min. - 3 Kg	■							■
Super Eco	■		■			■		■
Cottons Eco	■		■	■	■	■	■ ⁶⁾	■

1) If you use liquid detergent, set a programme without Prewash. The Stain option is not available with a temperature lower than 40°C.

2) With a low spin speed the appliance performs delicate rinses and a short spin.

3) If you set a shorter duration, we recommend that you decrease the quantity of the load. It is possible to load fully the appliance, however the washing results are reduced.

4) Only the Prewash function is available.

5) Set the spin speed. Make sure it agrees with the laundry. If you set No Spin option the only drain phase is available.

6) With these programmes you can set only the shorter duration.

5.2 Woolmark Certificate



The wool wash of this machine has been tested and approved by The Woolmark Company for the washing of wool

containing garments labelled as «hand wash» provided that the garments are washed according to the instructions on the garment label and those issued by the manufacturer of this washing machine. M1144

In UK, Eire, Hong Kong and India the Woolmark symbol is a certification trademark.

6. CONSUMPTION VALUES



The data of this table are approximate. Different causes can change the data: the quantity and type of laundry, the water and ambient temperature.



At programme start the display shows the duration programme for the maximum load capacity.

During the washing phase the programme duration is automatically calculated and can be greatly reduced if the laundry load is lower than the maximum load capacity (e.g. Cotton 60°C, maximum load capacity 9 kg, the programme duration exceeds 2 hours; real load 1 kg, the programme duration don't reach 1 hour).

When the appliance is calculating the real programme duration a dot blinks in the display.

Programmes	Load (kg)	Energy consumption (kWh)	Water consumption (litre)	Approximate programme duration (minutes)	Remaining moisture (%) ¹⁾
Cottons 60 °C	9	1.60	69	168	44
Cottons 40 °C	9	1.00	69	164	44
Synthetics 40 °C	4	0.60	48	105	35
Delicates 40 °C	4	0.70	58	86	35
Wool/Silk 30 °C	2	0.35	57	61	30
Standard cotton programmes					
Standard 60 °C cotton	9	0.83	56	243	44
Standard 60 °C cotton	4.5	0.59	45	190	44
Standard 40 °C cotton	4.5	0.50	45	198	44

¹⁾ At the end of spin phase.

Off Mode (W)	Left On Mode (W)
0,05	0,05

The information given in the chart above are in compliance with the EU Commission regulation 1015/2010 implementing directive 2009/125/EC.

7. OPTIONS

7.1 Programme knob

Turn this knob to set a programme. The related programme indicator comes on.

7.2 Steam

Touch this button to set the steam level. This is possible only with programmes where the steam function is available. The duration of the steam phase changes accordingly to your selection.

7.3 Memory

Touch one of the buttons Memory to memorise a programme or to set a memorised programme.


Memorise a programme:

1. Press button Auto Off to activate the appliance.
2. Turn the programme knob to your favourite programme.
3. If it is necessary, set one or more functions.
4. Touch and hold one of the buttons Memory for some seconds.

The buzzer sounds and the display shows that the programme is saved.

Set a memorised programme: Touch the button where you memorised the programme you want to set.

The programme indicator comes on and the display shows all the information.

 To cancel a memorised programme you can only memorise a new programme.

7.4 Start/Pause

Touch button Start/Pause to start or interrupt a programme.

7.5 Delay Start


Touch button Delay Start to delay the start of a programme from 30 minutes to 20 hours.

7.6 Time Save

Touch button Time Save to decrease the programme time.

You can select:

- **SHORTENED DURATION:** to wash items with daily soil.
- **EXTRA QUICK:** to wash quickly items with almost no soil.

 Some programmes accept only one of these functions.





7.7 Extra Rinse


Touch button Extra Rinse to add rinsing phases to a programme.

Use this function for persons allergic to detergents and in areas where the water is soft.

7.8 Stains/Prewash

Touch this button to set one of the following functions:


-  **Prewash**
Use this function for heavy soil. The appliance adds a prewash phase to the main wash. The programme duration increases.
-  **Soak**
Use this function for heavy soil. The appliance soaks the laundry at 30°C for about half an hour before to wash.
-  **Stains**
Use this function for laundry with hard stains to remove. When you set this function, put the stain remover into compartment .

 The programme duration increases. This function is not available with a temperature lower than 40° C.

7.9 Spin

Touch button Spin to:

- Decrease the maximum speed of the spin phase of the programme.

 The display shows only the spin speeds available for the set programme.

- Deactivate the spin phase ('No spin' function).
- Activate the **Rinse Hold** function. Set this function to prevent fabric creases. The appliance does not drain the water when the programme is completed.

7.10 Temp.

Touch this button to change the default temperature.

Symbols   and  = cold water

8. SETTINGS

8.1 Acoustic signals

You can hear the acoustic signals when:

- You activate the appliance.
- You deactivate the appliance.
- You touch the buttons.
- The programme is completed.
- The appliance has a malfunction.


To **deactivate/activate** the acoustic signals, press Stains/Prewash and Extra Rinse at the same time for 6 seconds.



If you deactivate the acoustic signals, they continue operate only when you touch the buttons and when a malfunction occurs.

8.2 Child Lock function

With this function you can prevent that the children play with the control panel.

- To **activate/deactivate** this function, touch Temp. and Spin buttons at the same time until the indicator  comes on/goes off.

9. BEFORE FIRST USE

1. Put a small quantity of detergent in the compartment for washing phase.
2. Set and start a programme for cotton at the highest temperature without laundry.

This removes all possible dirt from the drum and the tub.

9.1 Language setting

The first time you activate the appliance, the display shows the default language and tells you to confirm it or change it:


1. Turn the programme knob to set the desired language.
2. When the display shows the necessary language touch Start/Pause button to confirm the selection.

You can activate this function:

- After you touch Start/Pause : all the buttons and the programme knob are deactivated.
- Before you touch Start/Pause : the appliance cannot start.

8.3 Permanent Extra Rinse

With this function you can keep the extra rinse permanently on when you set a new programme.

- To **activate/deactivate** this function touch Time Save and Delay Start at the same time until the display show the indicator + comes on/goes off.

8.4 Weight sensor activating or deactivating

To activate or deactivate the weight sensors, press Temp. and Stains/Prewash at the same time for some seconds.

9.2 Change the language after the first activation

1. Touch button Spin and button Stains/Prewash at the same time for some seconds.
2. When the display shows the language set, turn the programme knob to set the new language.
3. Touch Start/Pause button to confirm the selection.

9.3 Clock setting

After you set the language, the display tells to set the clock. The hour digits flash.

1. Turn the programme knob to change the hour.
2. Touch Start/Pause button to confirm the selection.

The minute digits flash.

3. Turn the programme knob to change the minutes.
4. Touch Start/Pause button to confirm the selection.

9.4 Change the time of the day after the first activation

1. Touch the button Extra Rinse and the button Time Save at the same time for some seconds.

The hour digits flash.

2. Turn the programme knob to change the hour.
3. Touch Start/Pause button to confirm the selection.

The minute digits flash.

4. Turn the programme knob to change the minutes.
5. Touch Start/Pause button to confirm the selection.

10. DAILY USE



WARNING!

Refer to Safety chapters.

10.1 Using weight sensors



For a correct operation of the weight sensor, activate the appliance and set the programme BEFORE you put the laundry in the drum.

10.2 Before activating the appliance

1. Open the water tap.
2. Connect the mains plug to the mains socket.

10.3 Activating the appliance and setting a programme

1. Press button Auto Off to activate the appliance.
2. Turn the programme knob to the necessary programme or touch one of the Memory buttons to set a memorised programme.

The programme indicator comes on.

The indicator of Start/Pause button flashes with red colour.

The display shows the default

temperature and spin and the empty indicator bars of the available functions.

3. If it is necessary, touch Temp. button and Spin button to change the water temperature and the spin speed.
4. If necessary, touch the other buttons to add some functions or to set a delayed start.

The display shows the symbol of the set function and the digit shows the delayed time.

10.4 Loading the laundry

1. Open the appliance door.
The display shows the maximum load for the set programme **KG** and the weight of the laundry **KG** you put in the drum. The text bar on the display tells to add the laundry.
2. Put the laundry in the drum, one item at a time. Shake the items before you put them in the drum.

On the display the weight of the laundry updates by steps of kg 0.5. The weight is indicative and changes with the type of the laundry.



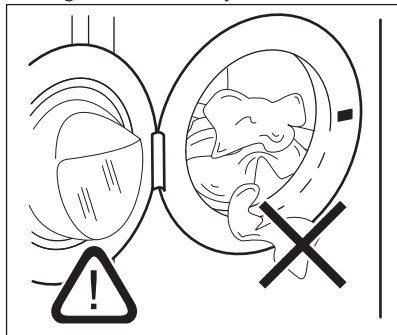
If you put in the drum more laundry than the maximum load, the text bar tells that you have put more than the maximum load. You can wash your laundry but the water and energy consumption increase. Remove some items to have the best consumption and washing performance. The overload indication is available only for programmes with a maximum load lower than the appliance maximum load.

3. Close the door.
The text bar tells the percentage of detergent to use.

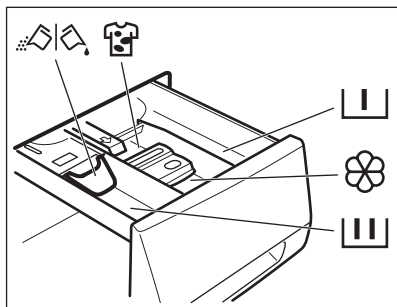
This data is indicative and refers to the detergent quantity for a maximum load that the manufacturer recommends.






4. Make sure that no laundry stays between the seal and the door.


There is a risk of water leakage or damage to the laundry.



10.5 Filling the detergent and additives

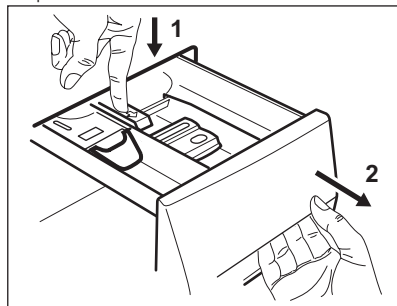


-  Compartment for prewash phase an soak programme.
-  Compartment for washing phase.
-  Compartment for liquid additives (fabric conditioner, starch).
- MAX** Maximum level for quantity of liquid additives.
-  Compartment for stain remover.
-  Flap for powder or liquid detergent.

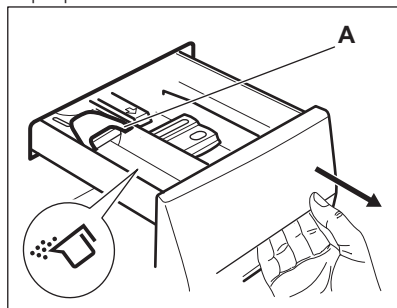
-  Always obey the instructions that you find on the packaging of the detergent products.

10.6 Check the position of the flap

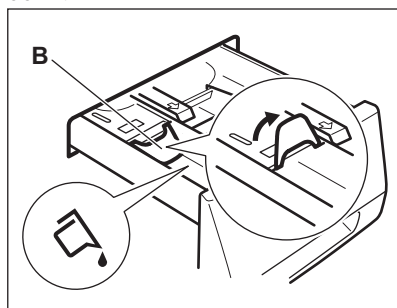
1. Pull out the detergent dispenser until it stops.
2. Press the lever down to remove the dispenser.



3. To use powder detergent, turn the flap up.



4. To use liquid detergent, turn the flap down.



**With the flap in the position DOWN:**

- Do not use gelatinous or thick liquid detergents.
 - Do not put more liquid detergent than the limit showed in the flap.
 - Do not set the prewash phase.
 - Do not set the delay start function.
5. Measure out the detergent and the fabric conditioner.
 6. Carefully close the detergent dispenser.

Make sure that the flap does not cause a blockage when you close the drawer.

10.7 Starting the programme without the delay start

Touch button Start/Pause to start the programme.
The related indicator stops flashing and stays on.

10.8 Starting a programme with the delay start

1. Touch button Delay Start again and again to set the desired delayed start.

The display shows the expected end of the programme.

2. Touch button Start/Pause.
The appliance starts the countdown of the delay start.

When the countdown is completed, the programme starts automatically.



Before you touch button Start/Pause to start the appliance, you can cancel or change the set of the delay start.

10.9 Cancelling the delay start

1. Touch button Start/Pause. The related indicator flashes.
2. Touch button Delay Start again and again until the display tells that there is no delay start.

3. Touch button Start/Pause. The programme starts.

10.10 Behaviour of the appliance

After approximately 15 minutes from the start of the programme:

- The appliance adjusts automatically the cycle time to the laundry you have put in the drum to have perfect washing results in the minimum necessary time.
- The display shows the new time value.

10.11 Interrupting a programme and changing the options

You can change only some options before they operate:

1. Touch button Start/Pause.
The related indicator flashes.
2. Change the options.
3. Touch button Start/Pause again.
The washing programme continues.

10.12 Cancelling a running programme

1. Press button Auto Off to cancel the programme and to deactivate the appliance.
2. Press button Auto Off again to activate the appliance.

Now, you can set a new washing programme.



Before starting the new programme the appliance could drain the water. In this case, make sure that the detergent is still in the detergent compartment, if not fill the detergent again.

10.13 Opening the door



WARNING!

If the temperature and level of the water in the drum are too high and the drum still rotates you **cannot** open the door.


While a programme or the delay start operates, the appliance door is locked.

To open the appliance door:

1. Touch button Start/Pause.
The door lock symbol in the display goes off.
2. Open the appliance door.
3. Close the appliance door and touch button Start/Pause.
The programme or the delay start continues

10.14 End of the programme

When the programme has finished, the appliance stops automatically. The acoustic signal operates (if it is active).

In the display  comes on and a message tells you that the programme is completed.

The indicator of Start/Pause button goes off.

1. Press the button Auto Off to deactivate the appliance.
After five minutes from the end of the programme, the energy saving function automatically deactivates the appliance.



When you activate the appliance again, the display show the end of the last set programme. Turn the programme knob to set a new cycle.

2. Remove the laundry from the appliance.
3. Make sure that the drum is empty.

4. Keep the door and air filter ajar, to prevent mildew and odours.

10.15 Draining water out after end of cycle

The washing programme is completed, but there is water in the drum:

- The drum turns regularly to prevent the creases in the laundry.
 - The door stays locked.
 - You must drain the water to open the door:
1. If necessary, decrease the spin speed.
 2. Touch the Start/Pause button.
The appliance drains the water and spins.
 3. When the programme is completed and the door lock indicator goes off, you can open the door.
 4. Press Auto Off some seconds to deactivate the appliance.



The appliance drains and spins automatically after approximately 18 hours.

10.16 AUTO OFF option

The AUTO OFF option automatically deactivates the appliance to decrease the energy consumption when:

- You do not use the appliance for 5 minutes before you press Start/Pause button.
Press the button Auto Off to activate the appliance again.
- After 5 minutes from the end of the washing programme
Press the button Auto Off to activate the appliance again.
The display shows the end of the last set programme.
Turn the programme knob to set a new cycle.

11. HINTS AND TIPS



WARNING!

Refer to Safety chapters.

11.1 The laundry load

- Divide the laundry in: white, coloured, synthetics, delicates and wool.

- Obey the washing instructions that are on the laundry care labels.
 - Do not wash together white and coloured items.
 - Some coloured items can discolour with the first wash. We recommend that you wash them separately for the first times.
 - Button up pillowcases, close zippers, hooks and poppers. Tie up belts.
 - Empty the pockets and unfold the items.
 - Turn inside out multilayered fabrics, wool and items with painted illustrations.
 - Remove hard stains.
 - Wash with a special detergent heavy soil stains.
 - Be careful with the curtains. Remove the hooks or put the curtains in a washing bag or pillowcase.
 - Do not wash in the appliance laundry without hems or with cuts. Use a washing bag to wash small and/or delicate items (e.g. underwired bras, belts, tights, etc.).
 - A very small load can cause balance problems with the spin phase. If this occurs, adjust manually the items in the tub and start the spin phase again.
- liquid detergents, preferably for low temperature wash programmes (60 °C max) for all types of fabric, or special for woollens only.
- Do not mix different types of detergents.
 - To help the environment, do not use more than the correct quantity of detergent.
 - Obey the instructions that you find on the on packaging of these products.
 - Use the correct products for the type and colour of the fabric, the programme temperature and the level of soil.
 - If your appliance has not the detergent dispenser with the flap device, add the liquid detergents with a dosing ball (supplied by the detergent's manufacturer).

11.2 Stubborn stains

For some stains, water and detergent is not sufficient.

We recommend that you remove these stains before you put the items in the appliance.

Special stain removers are available. Use the special stain remover that is applicable to the type of stain and fabric.

11.3 Detergents and additives

- Only use detergents and additives specially made for washing machines:
 - powder detergents for all types of fabric,
 - powder detergents for delicate fabrics (40 °C max) and woollens,

11.4 Ecological hints

- Set a programme without the prewash phase to wash laundry with normal soil.
- Always start a washing programme with the maximum load of laundry.
- If necessary, use a stain remover when you set a programme with a low temperature.
- To use the correct quantity of the detergent, check the water hardness of your domestic system

11.5 Water hardness

If the water hardness in your area is high or moderate, we recommend that you use a water softener for washing machines. In areas where the water hardness is soft it is not necessary to use a water softener.

To know the water hardness in your area, contact your local water authority.

Use the correct quantity of the water softener. Obey the instructions that you find on the packaging of the product.

12. CARE AND CLEANING



WARNING!
Refer to Safety chapters.

12.1 External cleaning

Clean the appliance only with soap and warm water. Fully dry all the surfaces.



CAUTION!
Do not use alcohol, solvents or chemical products.

12.2 Descaling

If the water hardness in your area is high or moderate, we recommend that you use a water descaling product for washing machines.

Regularly examine the drum to prevent limescale and rust particles.

To remove rust particles use only special products for washing machine. Do this separately from the laundry wash.



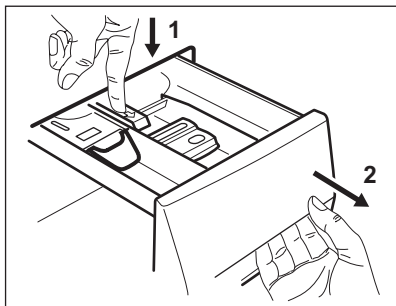
Always obey the instructions that you find on the packaging of the product.

12.3 Maintenance wash

With the low temperature programmes it is possible that some detergent stays in the drum. Make regularly a maintenance wash. To do this:

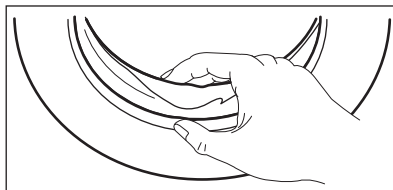
12.6 Cleaning the detergent dispenser

1.



- Remove the laundry from the drum.
- Set the cotton programme with the highest temperature with a small quantity of detergent.

12.4 Door seal



Regularly examine the seal and remove all objects from the inner part.

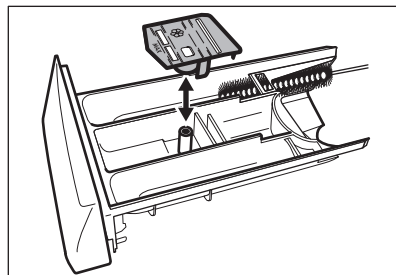
12.5 Cleaning the drum

Regularly examine the drum to prevent limescale and rust particles. Only use special products to remove rust particles from the drum.

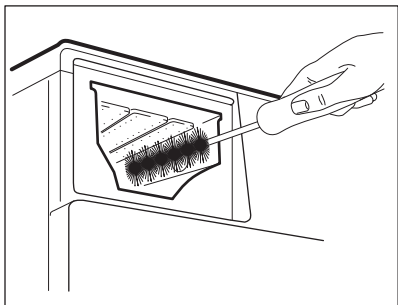
We suggest you to:

1. Clean the drum with special product for stainless steel.
2. Start a short programme for cotton at the maximum temperature with a small quantity of detergent.

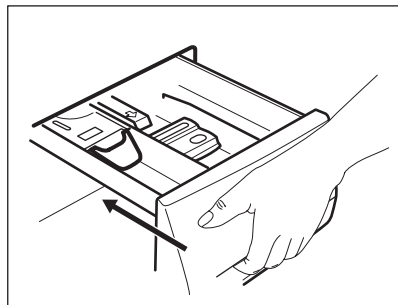
2.



3.



4.



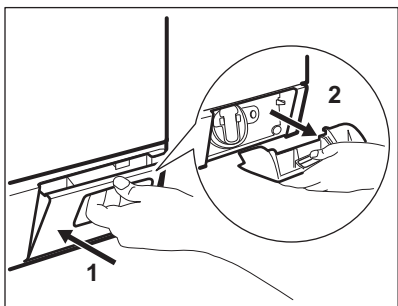
12.7 Cleaning the drain filter



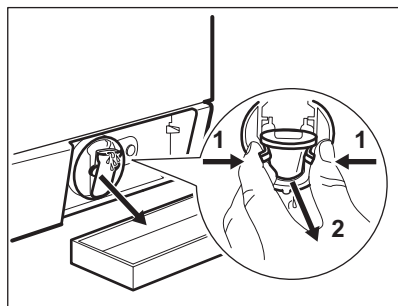
WARNING!

Do not clean the drain filter if the water in the appliance is hot.

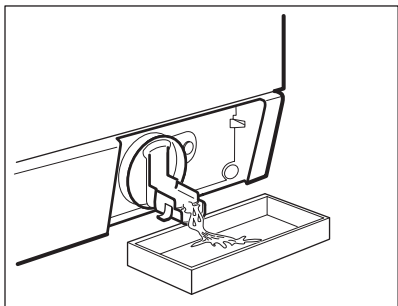
1.



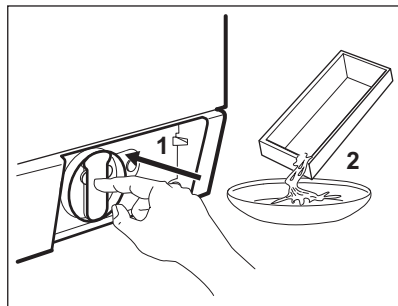
2.



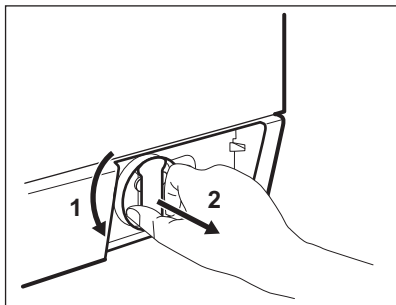
3.



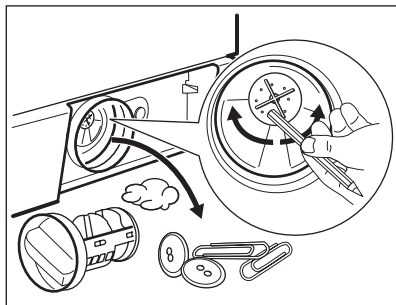
4.



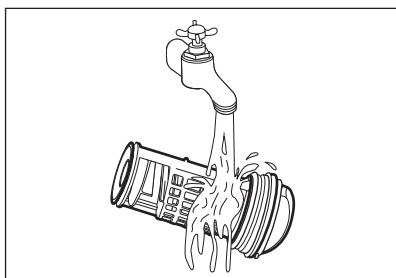
5.



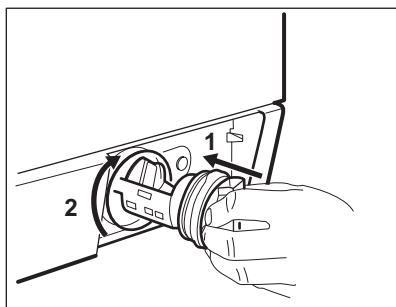
6.



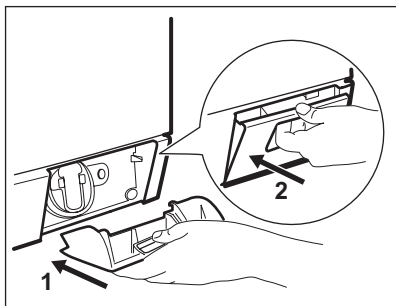
7.



8.

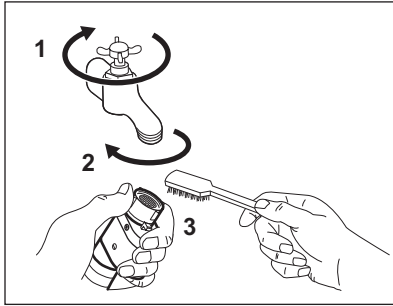


9.

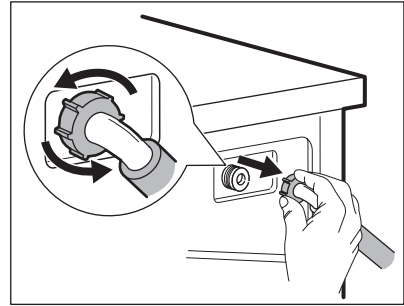


12.8 Cleaning the inlet hose and the valve filter

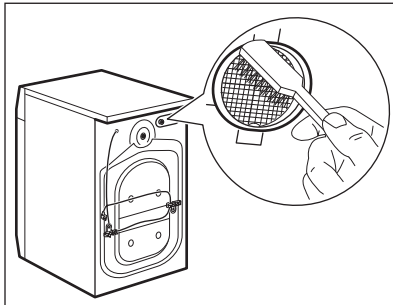
1.



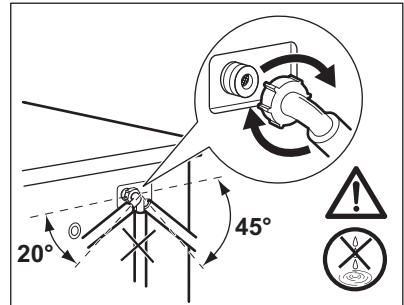
2.



3.



4.



12.9 Emergency drain

Because of a malfunction, the appliance cannot drain the water.

If this occurs, do steps (1) through (9) of 'Cleaning the drain filter'. If necessary, clean the pump.

When you drain the water with the emergency drain procedure, you must activate again the drain system:

1. When you drain the water with the emergency drain procedure, you must activate again the drain system: Put 2 litres of water in the main wash compartment of the detergent dispenser.
2. Start the programme to drain the water

12.10 Frost precautions

If the appliance is installed in an area where the temperature can be less than

0° C, remove the remaining water from the inlet hose and the drain pump.

1. Disconnect the mains plug from the mains socket.
2. Close the water tap.
3. Put the two ends of the inlet hose in a container and let the water flow out of the hose.
4. Empty the drain pump. Refer to the emergency drain procedure.
5. When the drain pump is empty, install the inlet hose again.



WARNING!

Make sure that the temperature is more than 0 °C before you use the appliance again.

The manufacturer is not responsible for damages caused by low temperatures.

13. TROUBLESHOOTING



WARNING!
Refer to Safety chapters.

13.1 Introduction

The start of the appliance does not occur or it stops during operation. First try to find a solution to the problem (refer to the table). If not, contact the Authorised Service Centre.

With some problems, the acoustic signals operate and the display shows an alarm message:



CAUTION!
Deactivate the appliance before you do the checks.

13.2 Possible failures


Problems with alarm messages

Message	Possible solution
The display tells to check the tap: the appliance does not fill with water.	Make sure that the water tap is open.
	Make sure that the pressure of the water supply is not too low. For this information, contact your local water authority.
	Make sure that the water tap is not clogged or is furred with lime-scale.
	Make sure that the filter of the inlet hose and the filter of the valve are not clogged. Refer to "Care and cleaning".
	Make sure that the inlet hose is not damaged.
The display tells to check the drain filter: the appliance does not drain the water.	Make sure that the connection of the water inlet hose is correct.
	Make sure that the drain hose is not damaged.
	Make sure that the drain filter is not clogged. Clean the filter, if necessary. Refer to 'Care and cleaning'.
The display tells to check the door.	Make sure that the connection of the drain hose is correct.
	Make sure that the appliance door is not open or closed correctly.

Message	Possible solution
The display tells there is a water alert.	The anti-flood device is activated: <ul style="list-style-type: none"> • Disconnect the appliance. • Close the water tap. • Contact the service centre.
The display tells that the main supply is unstable.	Wait until the mains supply is stable. The appliance automatically starts operating.

Problems without alarm messages

Problem	Possible solution
The programme does not start.	Make sure that the mains plug is connected to the mains socket.
	Make sure that there is not a damaged fuse in the fuse box.
	Make sure that the you have touched Start/Pause.
	If the delay start is set, cancel the setting or wait for the end of countdown.
	Deactivate the Child Lock function if it is on.
The appliance does not drain the water.	Make sure that you have not set a programme without drain phase.
	Make sure that you have not set an option which ends with water in the tub.
The appliance fills with water and drains immediately.	Make sure that the drain hose is in the correct position. The hose may be too low.
The spin phase does not operate or the washing cycle lasts longer than usually.	Make sure that the spin phase is not off.
	Make sure that the drain filter is not clogged. Clean the filter, if necessary. Refer to 'Care and cleaning'.
	Make sure that the this is not a balance problem. Adjust manually the items in the drum and start the spin phase again.
There is water on the floor.	Make sure that the couplings of the water hoses are tight and there is not water leakages.
	Make sure that the drain hose have no damages.
	Make sure you use the correct detergent and the correct quantity of it.

Problem	Possible solution
You cannot open the appliance door.	Make sure that the washing programme is finished.
	Set the drain or the spin programme if there is water in the drum.
	Make sure that the appliance receives electrical power.
	This problem may be caused by a failure of the appliance. Contact the Authorised Service Centre. If you need to open the door, please read carefully «Emergency door opening».
The appliance makes an unusual noise.	Make sure the levelling of the appliance is correct. Refer to 'Installation'.
	Make sure that the packaging and/or the transit bolts are removed. Refer to 'Installation'.
	Add more laundry in the drum. The load may be too small.
The washing results are not satisfactory.	Increase the detergent quantity or use a different detergent.
	Use special products to remove the stubborn stains before you wash the laundry.
	Make sure that you set the correct temperature.
	Decrease the laundry load.
The washing cycle is shorter than the time displayed.	The appliance calculates a new time according to the laundry load.
The washing cycle is longer than the time displayed.	An unbalanced laundry load increases the duration time. This is a normal behaviour of the appliance.
The internal lamp is off.	Make sure that the lamp is not burned. To replace the lamp, contact the service centre.
After a steam programme, garments are partially wet.	Make sure that the appliance is accurately levelled. Adjust the appliance by raising or lowering the feet.
After a steam programme, garments are not sufficiently smooth.	Make sure that you set a correct STEAM programme (e.g. Synthetic instead of Cotton).
The drum is empty and the display shows there is some weight in.	Press button Auto Off to deactivate the appliance and activate it again to set a tare.
The drum is full but the display shows  kg.	You loaded the laundry before activating the appliance. Press button Auto Off to deactivate the appliance. Empty the drum and obey to the necessary steps. (Refer to 'Loading the laundry')

After the check, activate the appliance. The programme continues from the point of interruption.

If the problem occurs again, contact the Authorised Service Centre.

If the display shows other alarm codes. Deactivate and activate the appliance. If the problem continues, contact the Authorised Service Centre.

14. EMERGENCY DOOR OPENING

In case of power failure or appliance failure the appliance door remains locked. The washing programme continues, when the power is restored. If the door remains locked in case of failure, it is possible to open it using the emergency unlock feature.

Before opening the door:



CAUTION!

Make sure that the water temperature and the laundry are not hot. Wait till they cool down, if necessary.



CAUTION!

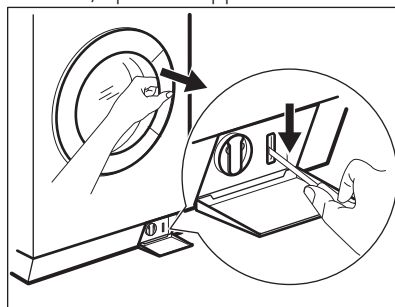
Make sure that the drum is not rotating. Wait till the drum stops rotating, if necessary.



Make sure that the water level inside the drum is not too high. Proceed with an emergency drain, if necessary (refer to «Emergency drain» in «Care and cleaning» chapter).

To open the door, proceed as follows:

1. Press the button Auto Off to switch the appliance off.
2. Disconnect the mains plug from the mains socket.
3. Open the filter flap.
4. Keep the emergency unlock trigger pulled downward and, at the same time, open the appliance door.



5. Take out the laundry and then close the appliance door.
6. Close the filter flap.

15. TECHNICAL DATA


Dimension	Width/ Height/ Depth/ Total depth	600 mm/ 850 mm/ 605 mm/ 639 mm
Electrical connection	Voltage	230-240 V
	Overall power	2200 W
	Fuse	10 A
	Frequency	50 Hz


Level of protection against ingress of solid particles and moisture ensured by the protective cover, except where the low voltage equipment has no protection against moisture		IPX4
Water supply pressure 1)	Minimum	0,5 bar (0,05 MPa)
	Maximum	8 bar (0,8 MPa)
Water supply 2)		Cold water
Maximum Load	Cotton	9 kg
Energy Efficiency Class		A+++
Spin Speed	Maximum	1600 rpm

1) The appliance works correctly if the water pressure is not less than 0.05 MPa (0.5 bar). If you can not connect the water inlet hose to the cold water tap of the primary hydraulic system, connect it to your domestic cold water storage system. Make sure not to have more than a distance of 5.02 m (16.5 ft) between the appliance inlet hose and the bottom of the water storage tank.

2) Connect the water inlet hose to a water tap with a 3/4" thread.

16. ENVIRONMENT CONCERNS

Recycle the materials with the symbol . Put the packaging in applicable containers to recycle it. Help protect the environment and human health and to recycle waste of electrical and electronic appliances. Do not dispose appliances

marked with the symbol  with the household waste. Return the product to your local recycling facility or contact your municipal office.

www.aeg.com/shop



132935092-A-322014

